

# VALOR FIRES

## HEAT BAFFLE ADDENDUM

This addendum is for the Model 541. It must be read in conjunction with the installer and owner guide supplied with the fire.

Contents:

1 off heat baffle

3 off edge clips.

### Fitting the baffle.

1. Locate the baffle as in figure 1 and secure in place using the three edge clips supplied.

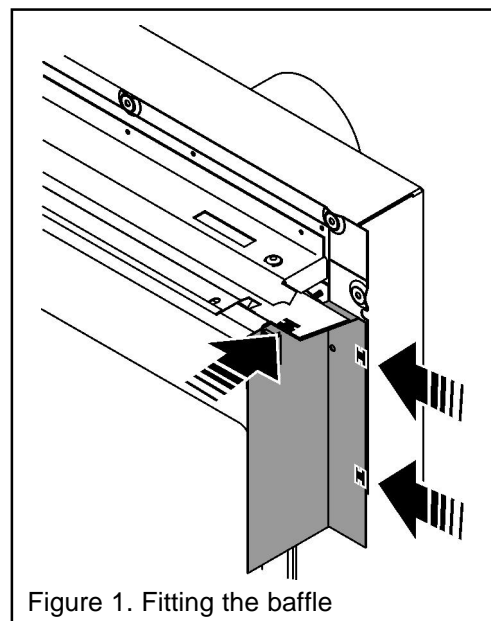


Figure 1. Fitting the baffle

© Baxi Heating U.K. Limited 2007.

# VALOR FIRES

## HEAT BAFFLE ADDENDUM

This addendum is for the Model 541. It must be read in conjunction with the installer and owner guide supplied with the fire.

Contents:

1 off heat baffle

3 off edge clips.

### Fitting the baffle.

1. Locate the baffle as in figure 1 and secure in place using the three edge clips supplied.

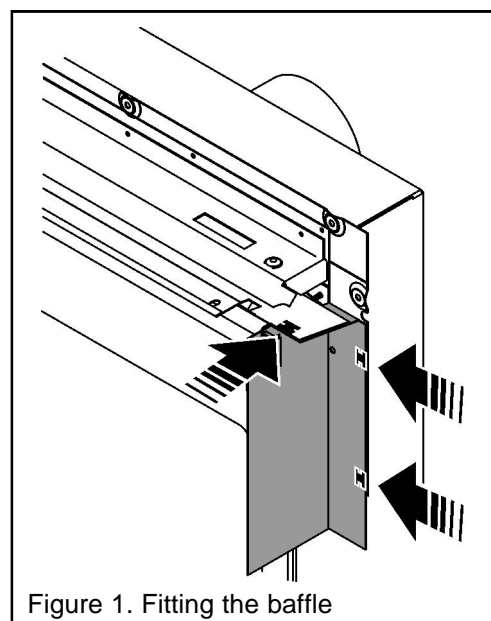


Figure 1. Fitting the baffle

© Baxi Heating U.K. Limited 2007.